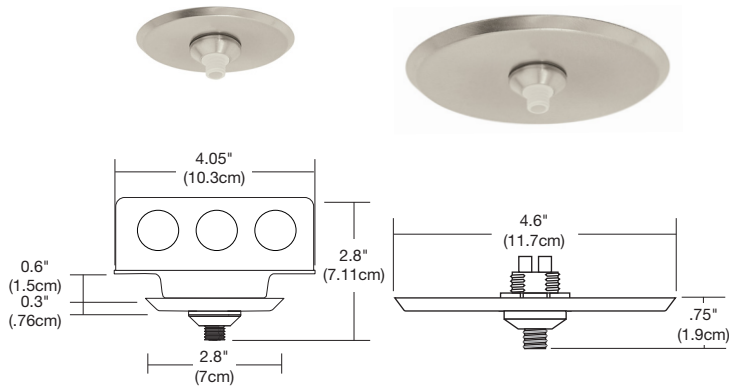


# 2" AND 4" FAST JACK 24 VOLT CANOPIES

REMOTE POWER CANOPIES (24VDC POWER SUPPLIES SOLD SEPARATELY)

DESIGNED BY GREGORY KAY

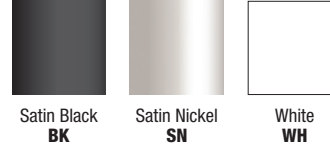
REV 10.27.21



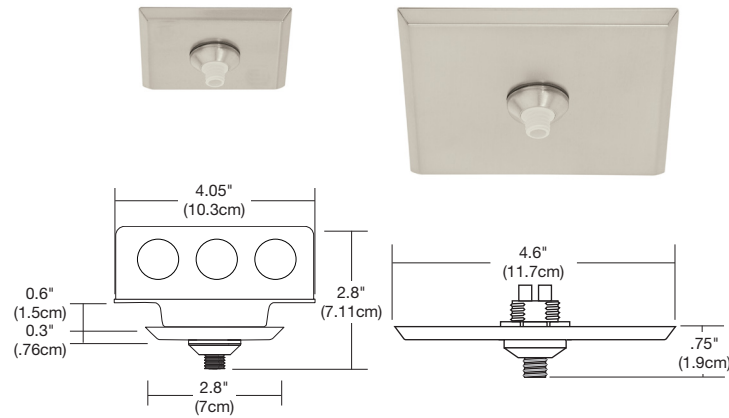
## 2" & 4" ROUND FAST JACK CANOPY

The 2" & 4" LED Round Fast Jack Canopies mount to a standard 4" electrical box. Remote 24 Volt DC power supply sold separately.

### FINISHES



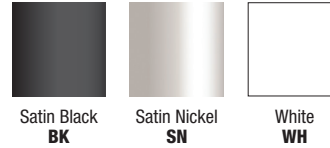
System	Canopy	Finish
<b>FJ24</b>	<b>2RD</b>	<b>SN</b>
FJ24 Fast Jack 24V	2RD 2.8" Round 4RD 4.6" Round	BK Satin Black SN Satin Nickel WH White



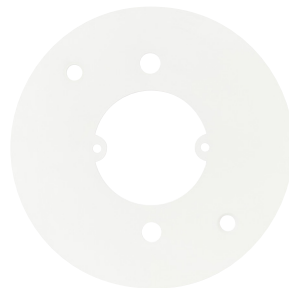
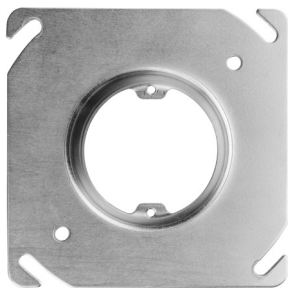
## 2" & 4" SQUARE FAST JACK CANOPY

The 2" & 4" LED Square Fast Jack Canopies mount to a standard 4" electrical box. Remote 24 Volt DC power supply sold separately.

### FINISHES

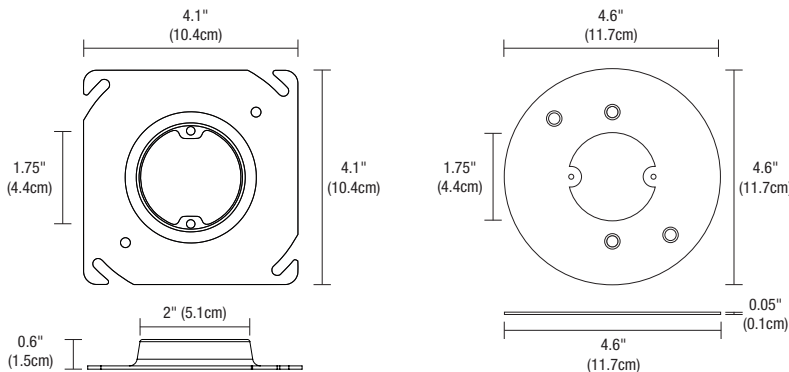


System	Canopy	Finish
<b>FJ24</b>	<b>2RD</b>	<b>SN</b>
FJ24 Fast Jack 24V	2RD 2.8" Square 4RD 4.6" Square	BK Satin Black SN Satin Nickel WH White



## NEW CONSTRUCTION & REMODEL 2" COVER FOR 4" SQUARE JUNCTION BOX

The New Construction NC2-JBOX Cover is included with the 2" Round and Square Canopies and is not required for the 4" Round or Square Canopies. NC2 New Construction Junction Box Cover mounts to a standard 4" Electrical Box or Octagon Box, converting it to a 2" Plaster Ring for use with the Round (2R) or Square (2S) Canopy. The Remodel RM2-JBOX Plaster Plate cover is used with an existing 4" Square Junction Box and standard Round Plaster Ring. The PS-60L-ELV-24VDC (50 Watt IC, 60 Watt Non-IC) will fit inside the NC2 or RM2-JBOX Cover and Electrical Junction Box for a flush look.



System	Product
<b>NC2</b>	<b>JBOX</b>
NC2 New Construction 2" RM2 Remodel Plaster Plate	JBOX Junction Box

PROJECT	FIXTURE TYPE	DATE
---------	--------------	------

# INDOOR CONSTANT VOLTAGE REMOTE POWER SUPPLIES

24VDC, UNIVERSAL DIMMING WITH ELV, TRIAC, & 0-10V FOR STATIC WHITE, WARM DIM

UNIVERSAL POWER SUPPLIES & RECOMMENDED DIMMERS				
ORDERING CODE	PSB-40W-UNI-24VDC	PSB-60W-UNI-24VDC	PSB-2X40W-UNI-24VDC	PSB-2X60W-UNI-24VDC

SPECIFICATIONS				
MAXIMUM LOAD	40W	60W	2X40W	2X60W
INPUT VOLTAGE	120-277VAC	120-277VAC	120-277VAC	120-277VAC
OUTPUT VOLTAGE	24VDC	24VDC	24VDC	24VDC
DIMENSIONS	12.4" X 3.12" X 2.18"	12.4" X 3.12" X 2.18"	12.15" X 6.48" X 2.18"	12.15" X 6.48" X 2.18"
CLASSIFICATION	CLASS 2	CLASS 2	CLASS 2	CLASS 2
T-BAR MOUNTING	PSB-40W-UNI-24VDC-TB	PSB-60W-UNI-24VDC-TB	PSB-2X40W-UNI-24VDC-TB	PSB-2X60W-UNI-24VDC-TB
IN-WALL MOUNTING	PSB-40W-UNI-24VDC-IW	PSB-60W-UNI-24VDC-IW	PSB-2X40W-UNI-24VDC-IW	PSB-2X60W-UNI-24VDC-IW
T-BAR CHICAGO PLENUM	PSB-40W-UNI-24VDC-TBCP	PSB-60W-UNI-24VDC-TBCP	PSB-2X40W-UNI-24VDC-TBCP	PSB-2X60W-UNI-24VDC-TBCP

UNIVERSAL POWER SUPPLIES & RECOMMENDED DIMMERS				
ORDERING CODE	PSB-96W-UNI-24VDC	PSB-2X96W-UNI-24VDC	PSB-3X96W-UNI-24VDC	PSB-4X96W-UNI-24VDC

SPECIFICATIONS				
MAXIMUM LOAD	96W	2X96W	3X96W	4X96W
INPUT VOLTAGE	120-277VAC	120-277VAC	120-277VAC	120-277VAC
OUTPUT VOLTAGE	24VDC	24VDC	24VDC	24VDC
DIMENSIONS	12.4" X 3.12" X 2.18"	12.15" X 6.48" X 2.18"	14" X 10" X 3"	17" X 13" X 3"
CLASSIFICATION	CLASS 2	CLASS 2	CLASS 2	CLASS 2
T-BAR MOUNTING	PSB-96W-UNI-24VDC-TB	PSB-2X96W-UNI-24VDC-TB	PSB-3X96W-UNI-24VDC-TB	PSB-4X96W-UNI-24VDC-TB
IN-WALL MOUNTING	PSB-96W-UNI-24VDC-IW	PSB-2X96W-UNI-24VDC-IW	NA	NA
T-BAR CHICAGO PLENUM	PSB-96W-UNI-24VDC-TBCP	PSB-2X96W-UNI-24VDC-TBCP	PSB-3X96W-UNI-24VDC-TBCP	PSB-4X96W-UNI-24VDC-TBCP

ELV DIMMING & CONTROLS				
LUTRON DIVA: DVELV-300P	•	•	•	•
LUTRON SKYLARK: SELV-300P	•	•	•	•
LUTRON RADIO RA2: RRD-6NA	•	•	•	•
LUTRON MAESTRO: MAELV-600	•	•	•	•
LEGRAND ADORNE: ADTP-703TUM4	•	•	•	•

0-10 DIMMING & CONTROLS				
PHILIPS SUNRISE: SR1200ZTUNV	•	•	•	•
LUTRON DIVA: DVTW-WH, DVSTV-WH	•	•	•	•
LUTRON NOVA T: NTSTV-DV-XX	•	•	•	•
LUTRON GRAFIX EYE QS: QSGRJ-XP	•	•	•	•
LUTRON RADIO RA2: RRD-10ND	•	•	•	•
LEVITON: LEV40050	•	•	•	•
LEVITON IP710-LFZ	•	•	•	•
LEGRAND: ADPD4FBL3P2W4	•	•	•	•

TRIAC DIMMING & CONTROLS				
LUTRON SKYLARK: S2-L-WH	•	•	•	•
LUTRON DIVA DVLV-600P-WH	•	•	•	•
LUTRON DIVA DVLV-603P-WH	•	•	•	•
LUTRON MAESTRO MALV-600-WH	•	•	•	•
LUTRON MAESTRO MALV-1000-WH	•	•	•	•
LUTRON MAESTRO MA-R-XX	•	•	•	•

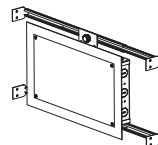
- Flicker free dimming
- Aluminum casing for optimal heat dissipation
- Isolated output power per NEC and UL safety requirements
- UL & ETL recognized/ listed, meets UL 8750, 1310 requirements
- Auto-reset; short circuit, overload and thermal protection
- Class 2 power supply
- Efficient, High power factor > 0.90

- The Solid State Constant Voltage Uni-Power Supply is compatible with most commercially available Dimmers:
  - Triac Dimmer: (Forward Phase) Typically used for the dimming of Incandescent and Low Voltage Magnetic Transformers
  - ELV Dimmer: (Reverse Phase) Dimming of Electronic Low Voltage Transformers and Power Supplies used for LED lighting
  - 0-10 Dimmer: Dims the Low Voltage side of a 0-10 volt power supply commonly used in large scale lighting or commercial applications.
- The Uni-Power Supply is recommended with any Siemens/Murray brand of arc fault breaker to overcome the issues with tripping the breakers with an ELV LED Low Voltage Drivers.

\*Title 24 with JA8 listed PureEdge products and systems  
 \*Tunable White requires Dual power Supplies and Controls. For single control use with our proprietary Tunable White Controller CDMX-1, refer to Universal Tunable White Power Supply Specifications. Up + Down Light fixtures and Systems can be controlled individually or together depending on the power supply selection.

**T-Bar Mounting Kit:** Includes power supply, box cover, and T-bar hangers for installing Junction Box above ceiling with in easy reach. Comes with 4" of 14 gauge pair Teflon cables with quick secure connectors.

**Ordering Codes :** PSB-40W-UNI-24VDC-TB, PSB-60W-UNI-24VDC-TB  
 PSB-96W-UNI-24VDC-TB, PSB-2X40W-UNI-24VDC-TB  
 PSB-2X60W-UNI-24VDC-TB, PSB-2X96W-UNI-24VDC-TB  
 PSB-3X96W-UNI-24VDC-TB, PSB-4X96W-UNI-24VDC-TB  
 PSB-40W-UNI-24VDC-TBCP, PSB-60W-UNI-24VDC-TBCP  
 PSB-96W-UNI-24VDC-TBCP, PSB-2X40W-UNI-24VDC-TBCP  
 PSB-2X60W-UNI-24VDC-TBCP, PSB-2X96W-UNI-24VDC-TBCP  
 PSB-3X96W-UNI-24VDC-TBCP, PSB-4X96W-UNI-24VDC-TBCP



**In-Wall Mounting Kit:** Includes power supply, box cover and stud hangers for installing Junction Box in wall. Select "IW" in the options section of compatible power supply ordering codes if an In-Wall Mounting Kit is needed.

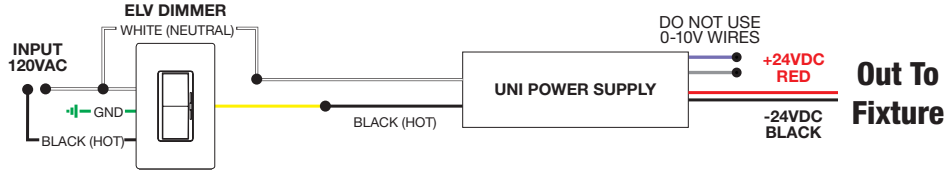
**Ordering Codes 5.1" x 14.25":** PSB-40W-UNI-24VDC-IW  
 PSB-60W-UNI-24VDC-IW  
 PSB-96W-UNI-24VDC-IW  
**Ordering Codes 8.5" x 14.25":** PSB-2X40W-UNI-24VDC-IW  
 PSB-2X60W-UNI-24VDC-IW  
 PSB-2X96W-UNI-24VDC-IW

PROJECT	FIXTURE TYPE	DATE
---------	--------------	------

**WIRING DIAGRAMS UNIVERSAL POWER SUPPLY**

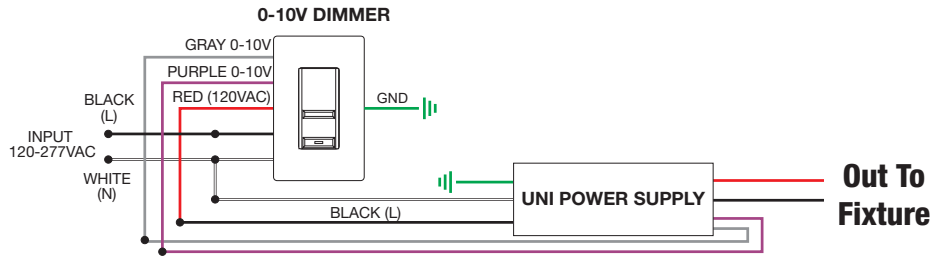
**Application:** ELV dimming for Static White and Warm Dim

**Dimming:** Dimmable with ELV dimmer: Legrand, Adorne ADTP703TU; Lutron: Diva DVELV-300P, Skylark SELV-300P, Maestro MAELV-600 and Radio Ra 2



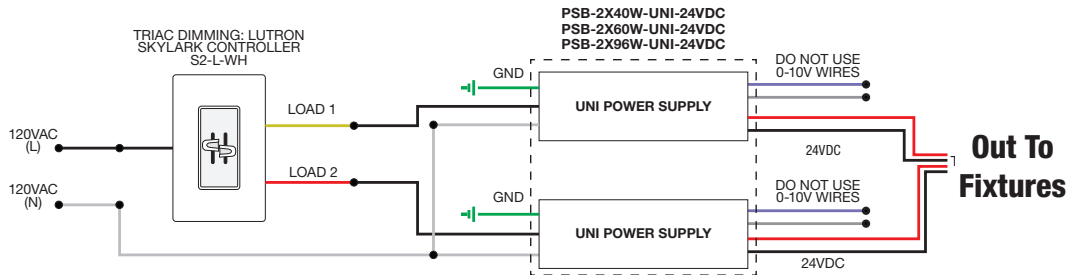
**Application:** 0-10V dimming for Static White

**Dimming:** Dimmable with 0-10V dimmer: Philips Sunrise: SR1200ZTUNV; Lutron Diva: DVTV-WH, DVSTV-WH; Lutron Nova T: NTSTV-DV-XX; Lutron Grafix EYE QS: QSGRJ-XP; Lutron Radio Ra2: RRD-10ND; Leviton: LEV40050; Leviton IP710-LFZ; Legrand: ADPD4FBL3P2W4



**Application:** Triac dimming for two power supplies, use for Static White

**Dimming:** Dimmable with Triac dimmer: Lutron: Skylark S2-L



PROJECT	FIXTURE TYPE	DATE
---------	--------------	------

ELECTRONIC LOW-VOLTAGE (ELV) POWER SUPPLIES & RECOMMENDED DIMMERS <sup>†‡</sup>				
ORDERING CODES	PS-60L-ELV-24VDC	PSB-60W-ELV-24VDC	PSB-2X60W-ELV-24VDC	PSB-100W-ELV-24VDC
SPECIFICATIONS				
MAXIMUM LOAD	60W NON-IC, 50W-IC (FITS IN JBOX)	60W	2X60W	96W
INPUT VOLTAGE	120VAC	120VAC	120VAC	120VAC
OUTPUT VOLTAGE	24VDC	24VDC	24VDC	24VDC
DIMENSIONS	2.25" X 1.25" X 0.83"	8.125" X 2" X 1.75"	12.15" X 6.48" X 2.18"	9.25" X 3.5" X 2"
CLASSIFICATION	CLASS 2	CLASS 2	CLASS 2	CLASS 2
T-BAR MOUNTING	N/A	PSB-60W-ELV-24VDC-TB	PSB-2X60W-ELV-24VDC-TB	PSB-100W-ELV-24VDC-TB
IN WALL MOUNTING	N/A	PSB-60W-ELV-24VDC-IW	PSB-2X60W-ELV-24VDC-IW	PSB-100W-ELV-24VDC-IW
T-BAR CHICAGO PLENUM	N/A	PSB-60W-ELV-24VDC-TBCP	PSB-2X60W-ELV-24VDC-TBCP	PSB-100W-ELV-24VDC-TBCP

ELECTRONIC LOW-VOLTAGE (ELV) POWER SUPPLIES & RECOMMENDED DIMMERS <sup>†‡</sup>			
ORDERING CODES	PSB-2X100W-ELV-24VDC	PSB-3X100W-ELV-24VDC	PSB-4X100W-ELV-24VDC
SPECIFICATIONS			
MAXIMUM LOAD	2X96W	3X96W	4X96W
INPUT VOLTAGE	120VAC	120VAC	120VAC
OUTPUT VOLTAGE	24VDC	24VDC	24VDC
DIMENSIONS	12.15" X 6.48" X 2.18"	14" X 10" X 3"	17" X 13" X 3"
CLASSIFICATION	CLASS 2	CLASS 2	CLASS 2
T-BAR MOUNTING	PSB-2X100W-ELV-24VDC-TB	PSB-3X100W-ELV-24VDC-TB	PSB-4X100W-ELV-24VDC-TB
IN WALL MOUNTING	PSB-2X100W-ELV-24VDC-IW	N/A	N/A
T-BAR CHICAGO PLENUM	PSB-2X100W-ELV-24VDC-TBCP	PSB-3X100W-ELV-24VDC-TBCP	PSB-4X100W-ELV-24VDC-TBCP

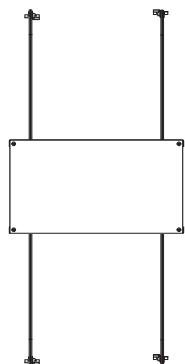
DIMMING AND CONTROLS			
LUTRON DIVA: DVELV-300P	•	•	•
LUTRON SKYLARK: SELV-300P	•	•	•
LUTRON RADIO RA2: RRD-6NA	•	•	•
LUTRON MAESTRO: MAELV-600	•	•	•
LEGRAND ADORNE: ADTP-703TUM4	•	•	•

<sup>†</sup>22K - 57K color temperatures are compatible with 0-10V, ELV, and Lutron Hi-Lume® Power Supplies. Warm Dim (27D, 30D) color temperatures are only compatible with ELV power supplies. Tunable White color temperature is compatible with 0-10V, ELV, DMX, and Lutron Hi-Lume® Power Supplies. Color (RGB, RGB+W) and Static Color (Amber, Blue, Green, or Red) are compatible with DMX Power Supplies.

<sup>‡</sup>Electrical Panels using Seimens/Murray AFCI breakers are not compatible with this ELV transformer. Use 0-10 Volt power supplies with this breaker

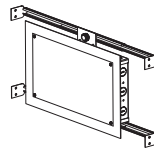
With N-Lite Dimming Do Not use ELV power supplies, use only 0-10 volt or Uni drivers power supplies

\*\*Up + Down Light fixtures and Systems can be controlled individually or together depending on the power supply selection.



**T-Bar Mounting Kit:** Includes power supply, box cover, and T-bar hangers for installing Junction Box above ceiling with in easy reach. Comes with 4' of 14 gauge pair Teflon cables with quick secure connectors.

- Ordering Codes :**
- PSB-60W-ELV-24VDC-TB
  - PSB-100W-ELV-24VDC-TB
  - PSB-2X60W-ELV-24VDC-TB
  - PSB-2X100W-ELV-24VDC-TB
  - PSB-3X100W-ELV-24VDC-TB
  - PSB-4X100W-ELV-24VDC-TB
  - PSB-60W-ELV-24VDC-TBCP
  - PSB-100W-ELV-24VDC-TBCP
  - PSB-2X60W-ELV-24VDC-TBCP
  - PSB-2X100W-ELV-24VDC-TBCP
  - PSB-3X100W-ELV-24VDC-TBCP
  - PSB-4X100W-ELV-24VDC-TBCP



**In-Wall Mounting Kit:** Includes power supply, box cover and stud hangers for installing Junction Box in wall. Select "IW" in the options section of compatible power supply ordering codes if an In-Wall Mounting Kit is needed.

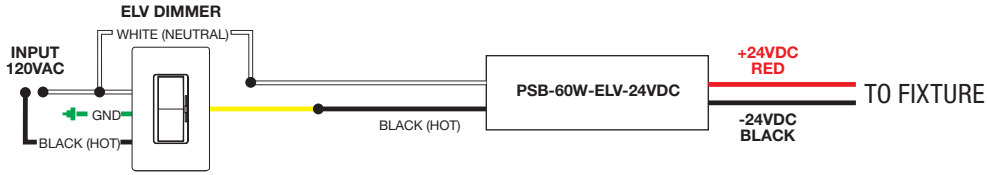
- Ordering Codes 5.1" x 14.25":**
- PSB-60W-ELV-24VDC-IW
  - PSB-100W-ELV-24VDC-IW
- Ordering Codes 8.5" x 14.25":**
- PSB-2X60W-ELV-24VDC-IW
  - PSB-2X100W-ELV-24VDC-IW

PROJECT		FIXTURE TYPE		DATE	
---------	--	--------------	--	------	--

**SAMPLE WIRING DIAGRAMS 24VDC ELV**

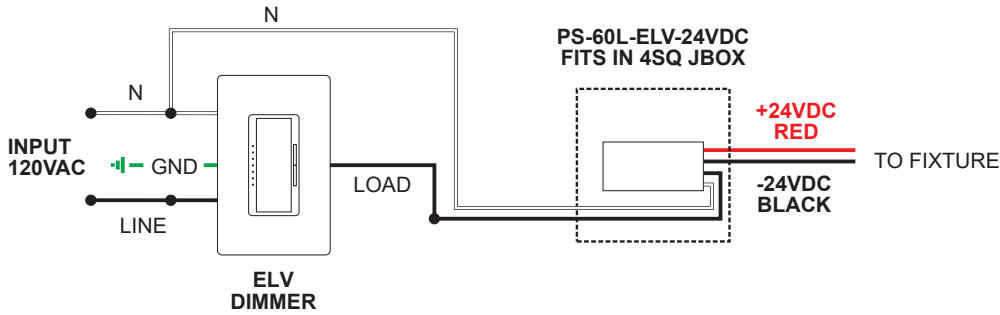
**Application:** ELV dimming for Static White

**Dimming:** Dimmable with ELV dimmer: Legrand, Adorne ADTP703TU; Lutron: Diva DVELV-300P, Skylark SELV-300P, Maestro MAELV-600 and Radio Ra 2



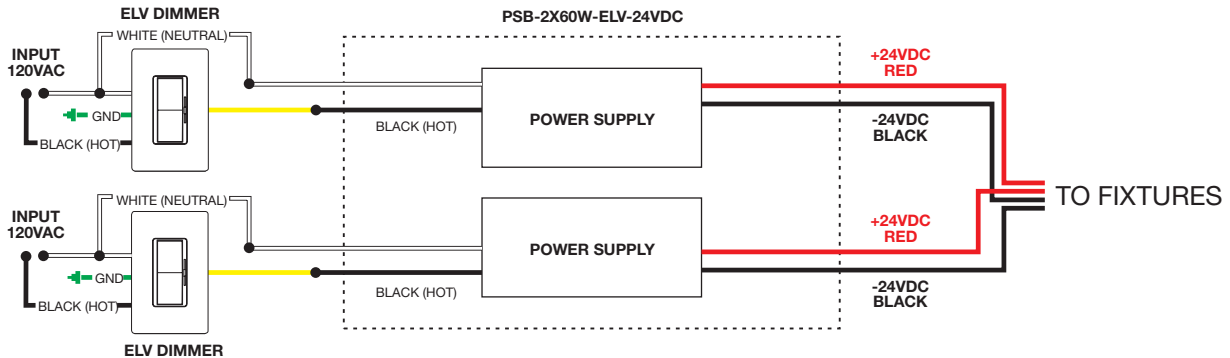
**Application:** ELV dimming for Static White

**Dimming:** Dimmable with ELV dimmer: Legrand, Adorne ADTP703TU; Lutron: Diva DVELV-300P, Skylark SELV-300P, Maestro MAELV-600 and Radio Ra 2



**Application:** Dual ELV dimming for Static White

**Dimming:** Dimmable with ELV dimmer: Legrand, Adorne ADTP703TU; Lutron: Diva DVELV-300P, Skylark SELV-300P, Maestro MAELV-600 and Radio Ra 2



PROJECT		FIXTURE TYPE		DATE	
---------	--	--------------	--	------	--

# PSB-  X100W-24VDC

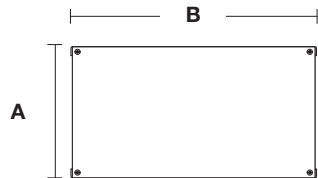
## 24 VOLT DC, NON-DIMMING POWER SUPPLY

DESIGNED BY GREGORY KAY | ASSEMBLED IN AMERICA

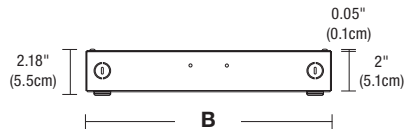
REV 10.27.21



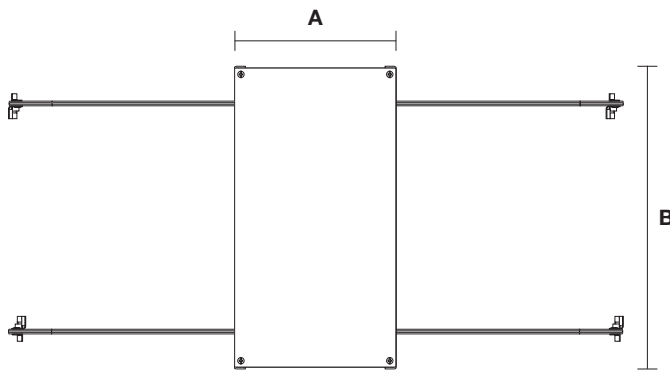
PSB-2X100W-24VDC



TOP VIEW



SIDE VIEW



PSB-100W-24VDC-TB  
(T-BAR GRID CEILING)

### DESCRIPTION

Non-Dim Power Supply accepts input voltage in a range of 120 - 277VAC and outputs 24VDC power up to 4x100 watts. The enclosure provides a space inside for electrical connections. In-Wall Power Supply Kit includes power supply, box cover and stud hangers for installing Junction Box in wall. Power Supply features short circuit and overload and over temperature protection. Indoor applications only.

### APPLICATIONS

Indoor\*

\*To avoid overheating the power supply, install it in a ventilated remote location where air flows. Maintain proper spacing among power supplies when multiple power supplies are installed in the same remote location.

### MOUNTING

Surface mounted with conduit access

### POWER INPUT

120-277VAC

### POWER OUTPUT

Class 2; 24 volts DC 4A, up to 4x100 watts maximum

### EFFICIENCY

90%

### AMBIENT OPERATING TEMPERATURE

-25° C to 90° C

### COMPLIANCE

Made in the USA, UL, CE, Title 24

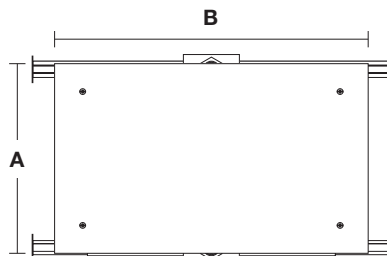
\*Title 24 with JA8 listed PureEdge products and systems

Product	Wattage	Voltage	Options
<b>PSB</b> Power Supply with Enclosure Box	<b>100W</b> 100 Watts <b>2X100W</b> 2 x 100 Watts <b>3X100W</b> 3 x 100 Watts <b>4X100W</b> 4 x 100 Watts	<b>24VDC</b> 24 Volt DC	<b>STANDARD</b> (Leave Blank) <b>TB</b> T-Bar Grid Ceiling <b>IW*</b> In-Wall Kit <b>TBCP</b> T-Bar Chicago Plenum *Only 100W & 2x100W

STANDARD & T-BAR DIMENSIONS		
	A	B
PSB-100W-24VDC	3.12"	12.4"
PSB-2X100W-24VDC	6.48"	12.15"
PSB-3X100W-24VDC	10"	14"
PSB-4X100W-24VDC	13"	17"



PSB-100W-24VDC-IW



PSB-100W-24VDC-IW (IN WALL KIT)

IN-WALL DIMENSIONS		
	A	B
PSB-100W-24VDC-IW	5.1"	14.25"
PSB-2X100W-24VDC-IW	8.5"	14.25"

PROJECT		FIXTURE TYPE		DATE	
---------	--	--------------	--	------	--